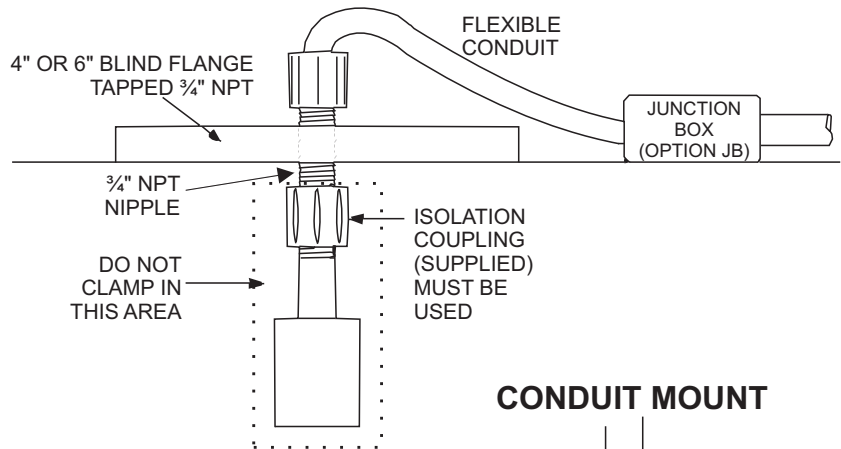


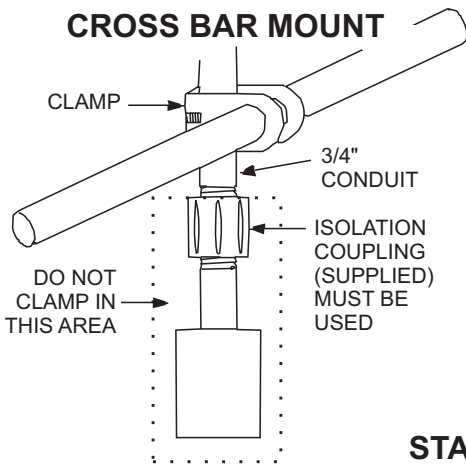
Notes:

1. Use the 3/4" NPT "Isolation Coupling" supplied and *hand tighten* only. Do not clamp sensor body or stem.
2. Locate the sensor 1 ft (30 cm) from the sidewall or obstruction for every 10 ft (3 m) depth.
3. Do *not* mount in direct sunlight.
4. Extend sensor cable up to 500 ft (150 m) with RG62AU coaxial only.

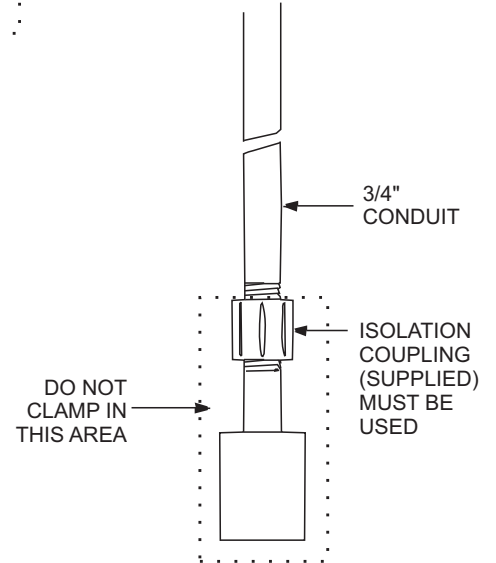
FLANGE MOUNT



CROSS BAR MOUNT



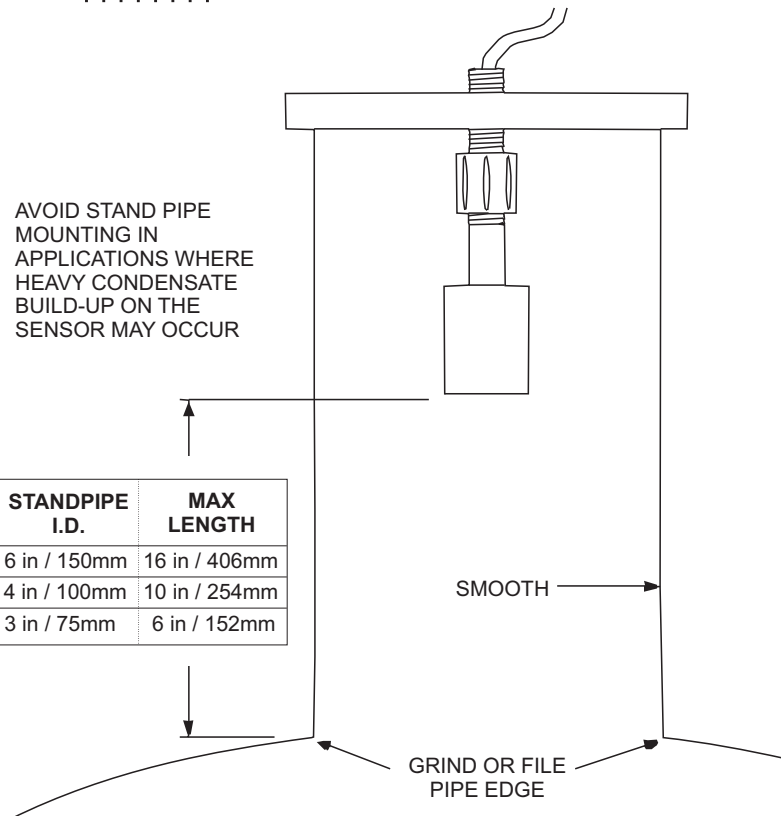
CONDUIT MOUNT



STAND PIPE MOUNT

AVOID STAND PIPE MOUNTING IN APPLICATIONS WHERE HEAVY CONDENSATE BUILD-UP ON THE SENSOR MAY OCCUR

STANDPIPE I.D.	MAX LENGTH
6 in / 150mm	16 in / 406mm
4 in / 100mm	10 in / 254mm
3 in / 75mm	6 in / 152mm



ANGLE MOUNT

